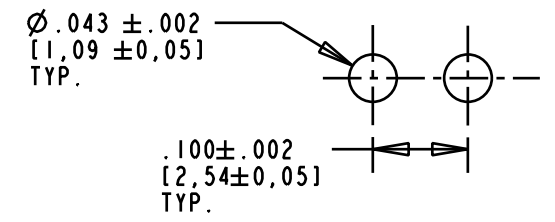
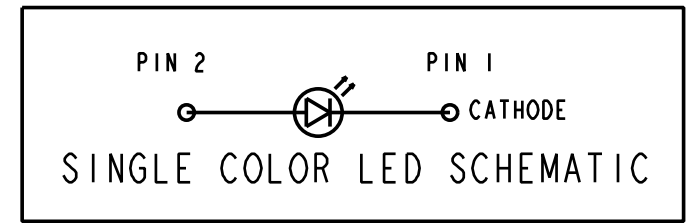
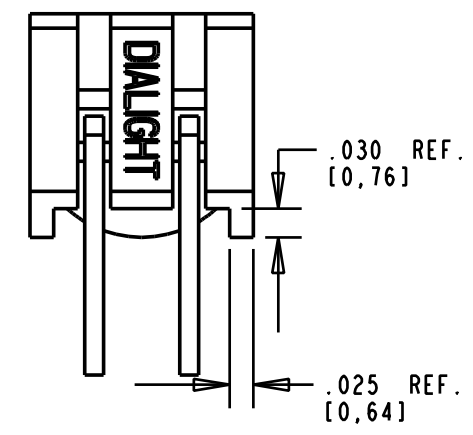
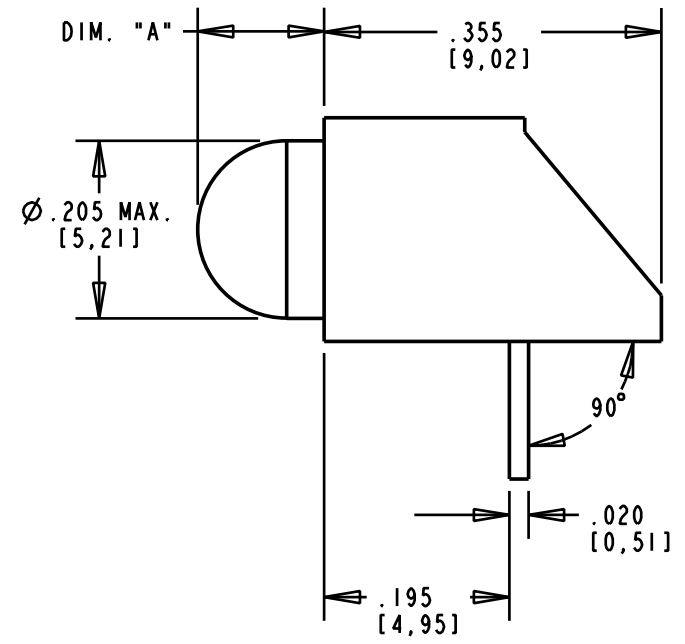
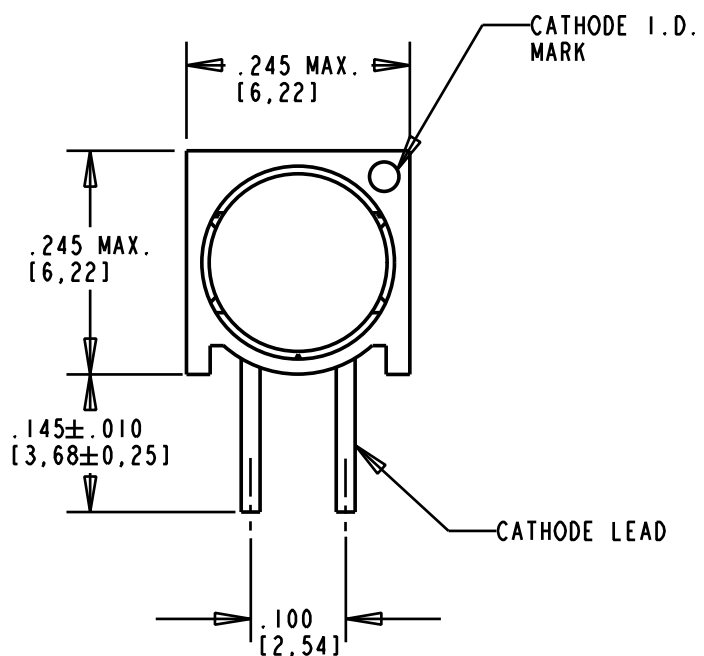


ASSEMBLY NUMBER	LENS COLOR	DIM. "A"
550-0207	GREEN DIFFUSED	.135
550-0307	YELLOW DIFFUSED	.135
550-0407	RED DIFFUSED	.135
550-1007	BLUE NON-DIFFUSED	.193

OPERATING CHARACTERISTICS AT T _a = 25°C							
LED CHARACTERISTICS		GREEN	YELLOW	RED	BLUE	UNITS	TEST CONDITIONS
LUMINOUS INTENSITY	MIN.	3.5	3.5	3.5	520	mcd	I _f = 20 mA
	TYP.	12.3	12.3	12.3	1010		
PEAK WAVELENGTH	TYP.	565	585	635	470	nm	I _f = 20 mA
FORWARD VOLTAGE	TYP.	2.1	2.1	2.0	3.8	V	I _f = 20 mA
	MAX.	2.8	2.8	2.8	4.0		
REVERSE CURRENT	MAX.	100	100	100	100	μA	V _r = 5 V
VIEWING ANGLE (2 Θ 1/2)	TYP.	60	60	60	30	DEG	
CAPACITANCE	TYP.	35	16	20	43	pF	V _f = 0; f = 1 MHz

REV.	ECN NO.	REVISIONS	DRN.	CKD.	APP.	DATE
A	—	NEW RELEASE	TC	AV	NO	10-4-99
B	—	ADDED P/N 550-1007. ADDED NOTE 4. NOTE 5 WAS NOTE 4.	JAV			



RECOMMENDED PC BOARD HOLE PATTERN

NOTES:

- LAMP MUST BE SEATED ALL THE WAY DOWN INTO HOUSING. BENDS MUST BE TIGHT, NO LONGITUDINAL TRAVEL ALONG AXIS ALLOWED.
- LEADS TO BE FREE OF DEFORMATION AFTER BENDING AND CUTTING.
- LED LEAD DIMENSIONS SHOWN ARE MEASURED AT HOUSING EXIT.
- ATTENTION: OBSERVE PRECAUTIONS FOR HANDLING ELECTROSTATIC SENSITIVE DEVICES. FOR EYE SAFETY DO NOT STARE DIRECTLY INTO THE LIGHT BEAM OF THESE LED DEVICES AT CLOSE RANGE.
- DIALIGHT PART NUMBER: 550-0207, -0307, -0407, -1007.

ABSOLUTE MAXIMUM RATINGS AT T_a = 25°C

PARAMETER	LED COLOR				UNITS
	GREEN	YELLOW	RED	BLUE	
POWER DISSIPATION	100	60	80	120	mW
CONTINUOUS FORWARD CURRENT	30	20	40	30	mA
PEAK FORWARD CURRENT (1/10 DUTY CYCLE, 0.1 ms PULSE WIDTH)	120	80	200	100	mA
DERATING LINEARLY FROM 25°C	0.4	0.25	0.5	0.55	mA/°C
REVERSE VOLTAGE	5				V
SOLDERING TEMPERATURE (.063 IN. FROM BODY)	260°C FOR 5 SEC.				°C
OPERATING TEMPERATURE	-55 TO +100		-40 TO +80		°C
STORAGE TEMPERATURE	-55 TO +100		-40 TO +100		°C

THIS DRAWING AND THE CONTENTS HEREIN ARE CONFIDENTIAL AND THE SOLE PROPERTY OF DIALIGHT. REPRODUCTION OF THIS DRAWING OR CONSTRUCTION OF ANY PARTS WITHIN THIS DRAWING ARE FORBIDDEN WITHOUT THE WRITTEN CONSENT OF DIALIGHT.

SCALE 5:1	DRAWING NUMBER	REV
ALL DIM'S IN: INCHES (MM)	C-16602	B
TOLERANCES: UNLESS OTHERWISE SPECIFIED	TITLE	
FRACTIONS: ±1/64	5mm LED CBI	
DECIMALS (.XX): ±.020	MATERIAL	
DECIMALS (.XXX): ±.015	Dialight	
ANGLES: ±1°	1501 ROUTE 34 SOUTH	
FINISH:	FARMINGDALE, NJ 07727	
FSCM 83330	SHEET OF	FAMILY TABLE: